



SILVER EAGLE

TUP9-D104SE • D104SE • TUP9SE
BASE MICROPHONE

Description

The TUP9-D104SE Silver Eagle is a combination of the original super talk-power D104 crystal microphone with a transistorized rugged, versatile TUP9SE Stand. The Silver Eagle is entirely chrome plated and features a grip-to-talk bar and a press-to-talk bar. The TUP9-D104SE is compatible with our "G" series of microphones. The microphone head plugs into the top of the mast and is locked on by means of a union nut (See drawing on other side).

The TUP9SE stand has a built-in two stage silicon transistor amplifier having high impedance input. The output impedance is suitable for the inputs of all commercial transmitters or transceivers. The TUP9SE stand is entirely chrome plated.

The D104SE crystal head features an engraved eagle on the rear of the head and is entirely chrome plated.

Specifications

- Type: High quality amplified crystal
- Frequency Response: See Frequency Response Curve on other side
- Maximum Output Level: ... -20 dB below 1 volt per microbar at 1 kHz into 1 megohm load
- Amplifier Voltage Gain: 26 dB
- Impedance: 5000 ohms max. (matches all transmitters)
- Cable: Five conductor (one conductor shielded) coiled cord that extends to 2.3 m (7 1/2 ft.)
- Housing: Die Cast Zinc Alloy
- Finish: Polished Chrome
- Battery: Standard 9 Volt Battery (Not Included)
- Battery Drain: 1.2 ma
- Size: TUP9-D104SE: 305 mm (12") high x 135 mm (5 1/4") diameter
D104SE: 103 mm (4 1/16") high x 77 mm (3 1/32") wide x 29 mm (1 1/8") deep
TUP9SE: 210 mm (8 1/4") high x 135 mm (5 1/4") diameter
- Weight: TUP9-D104SE: 1.22 kilograms (2 lbs. 11 oz.)
D104SE: 255 grams (9 oz.)
TUP9SE: 964 grams (2 lbs. 2 oz.)



ASTATIC Quality

All Silver Eagle D104 microphones are audio tested and inspected prior to shipment. Our absolute commitment to quality insures that ASTATIC microphones remain the Best Value in today's competitive industry.

CUT HERE

WARRANTY (LIMITED)

Astatic Radio Communication Microphones are warranted for one year from the date of purchase by CTI Audio, Inc. to be free from defects in material and workmanship. In event of such defect, product will be repaired or replaced at our option with a new unit of equal or superior value. This will be at no charge if delivered prepaid to CTI Audio, Inc. or an authorized service center, together with the sales slip or other proof of purchase. The unit will be returned prepaid. Warranty excludes exterior finish, appearance items, or malfunction due to abuse or operation under other than specified conditions. Consequential or incidental damages are excluded.

SHIPPING INSTRUCTIONS

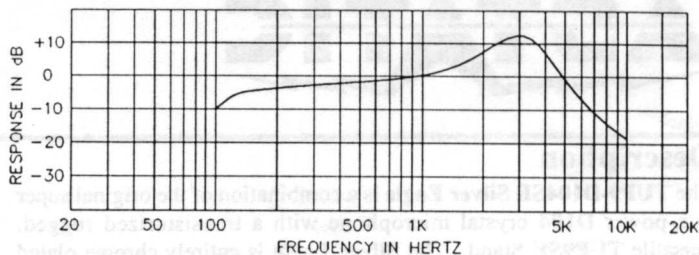
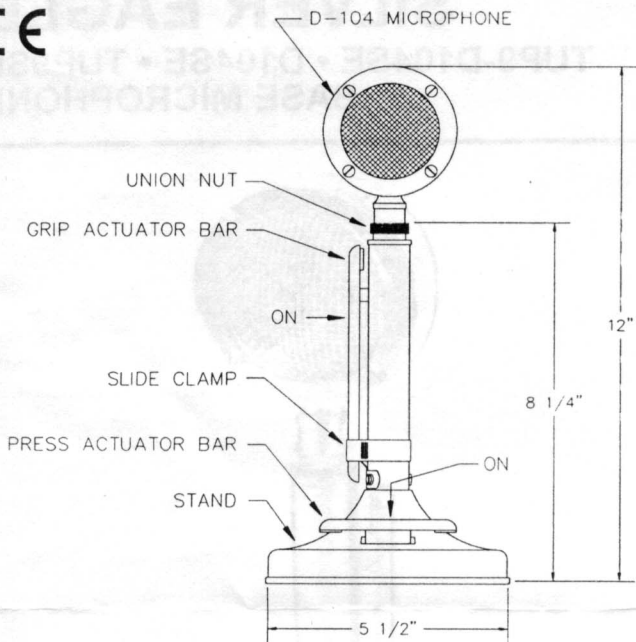
Carefully repack the unit and return it prepaid to:

CTI Audio, Inc. (Attention: Service Dept.)
341 Harbor Street, Conneaut, Ohio 44030

If outside the United States, contact your dealer or distributor for warranty details.

C
U
T
H
E
R
E

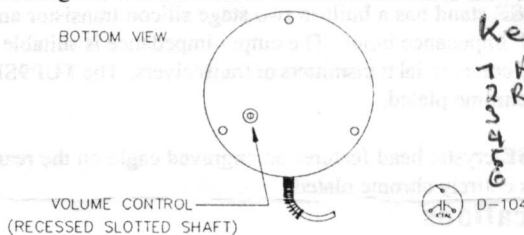
SPECIFICATIONS FOR TUP9-D104SE • D104SE • TUP9SE



Volume Adjustments

At a speaking distance of approximately 2 inches (or the position you prefer) starting with the external volume control set fully counterclockwise, adjust the volume control for the correct modulation level. Rotating the volume control clockwise increases the volume.

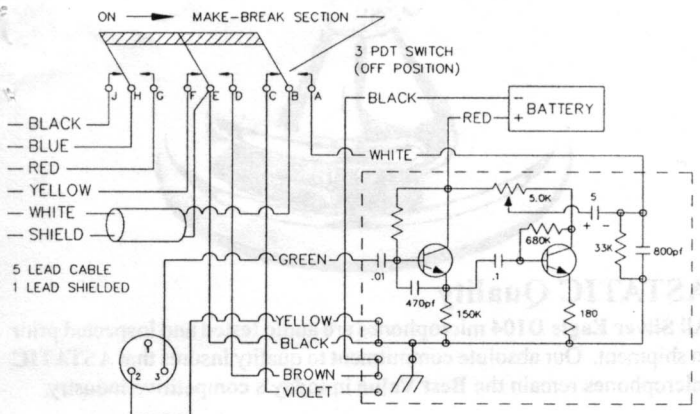
BOTTOM VIEW



Kenwood (B18 +)
7 April
2 Red
3
4
5
6
7
8
9
10
11
12
13
14
15
16
17
18
19
20
21
22
23
24
25
26
27
28
29
30
31
32
33
34
35
36
37
38
39
40
41
42
43
44
45
46
47
48
49
50

Connector-Cable Clamping

If the microphone plug you have selected for your hookup requirements does not have a cable clamp suitable for our small diameter high quality microphone cable, use tubing as supplied by ASTATIC. Simply slip tubing over cable prior to soldering of lead wires. Position it to ensure proper clamping of cable and tubing by the connector.

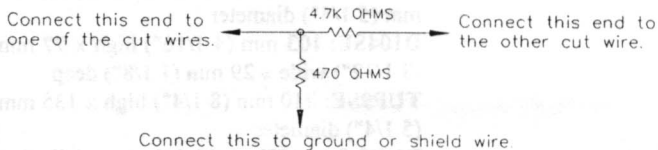


Battery Replacement

Remove the bottom cover by removing the three screws. Carefully lift off the cover. Unsnap the battery from the battery connector and install a new battery. Carefully replace the bottom cover and fasten with the three screws previously removed.

Over Modulation Warning

The combination of an amplified stand and a high level microphone may result in over modulation (tinny or hollow sound), overly sensitive gain adjustment, or a squeal when transmitting. One possible solution is to add an "L-PAD" as shown below using 1/4 or 1/2 watt resistors. Cut white wire from coil cord in base, solder 4.7K ohm and 470 ohm resistors to free ends of this white wire as shown.



Temperature Warning

Do NOT subject crystal microphones to temperatures over 45° C, permanent damage may result.

1
YEAR
LIMITED
WARRANTY